

A collage of closet hardware including rods, hangers, and tie racks. The background is a light beige color. The hardware is shown in various configurations: a rod with a hanger, a rod with a tie rack, and a rod with a hanger and a tie rack. The hardware is made of a polished metal, likely brass or chrome.

CLOSET HARDWARE

CLOSET ROD LIFT MECHANISM
HANGERS
TIE RACKS

CLOSET ROD LIFT MECHANISM

Picture	Item No.	Load Capacity (lbs)	Page
	TAS-800	17.6	522
	TAW-1200	33	522
	TAT-800	17.6	522
	TAB (BRACKET FOR TALLMAN HANG)	-	523
	TAC (COVER FOR TAB BRACKET)	-	523
	TAE (TAW EXTENSION ROD)	-	523

HANGERS

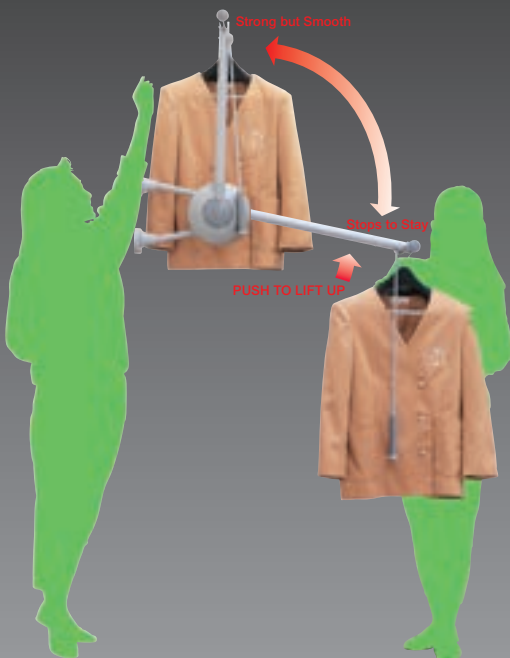
Picture	Item No.	Load Capacity (lbs)	Page
	UH SERIES	6.6	524
	W SERIES	8.8~13.2	524
	TE-700, TE-800	44	525
	A SERIES	11	526
	CK	3.3	526
	HM-250Y	6.6	527
	HM-250V	6.6	527
	HM-330	6.6	527

TIE RACKS

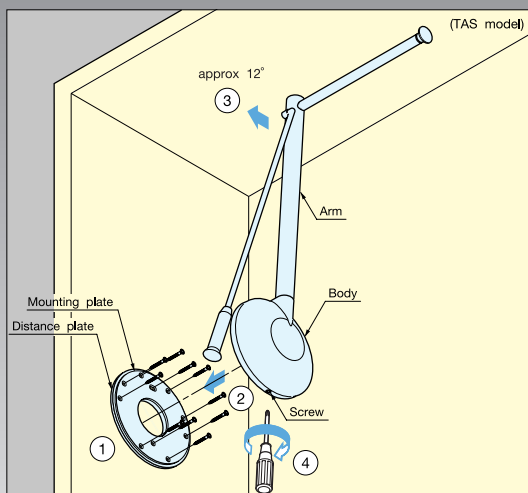
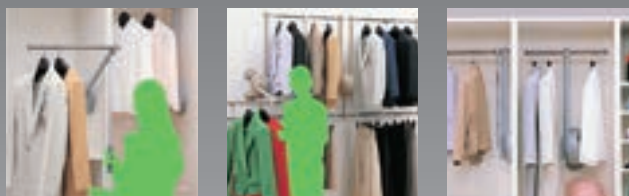
Picture	Item No.	Load Capacity (lbs)	Page
	MST-20	0.7	528
	TIEM	0.7	528
	TIE-33	0.7	528
	S-350	-	529
	STR	-	529
	DTR	-	529

TALLMAN CLOSET ROD LIFT MECHANISM

Innovative closet storing mechanism to hang clothes in high places, allowing for your closet space to be utilized more efficiently.



- New Shock Absorbing Mechanism:**
 Designed to soften sudden “pop-ups” even when rod is released halfway.
 Allows the closet rod to stay at position when the rod is pulled all the way down.
- Easy to use:**
 Easy to return the rod to its normal position.
- Simple to install:**
 Install mounting plate on the wall, fasten rod unit to the mounting plate with one hidden screw.
- Choose your size:**
 We offer single, double or a T-type to accommodate your space requirements.



Easy Installation:

- ① Secure the mounting plate in the selected area with screws.
- ② Insert the body into the fastening holes located on the mounting plate.
- ③ Rotate the body until the arm is locked (approximately 12°).
- ④ Simply secure the body to the mounting plate with one screw.

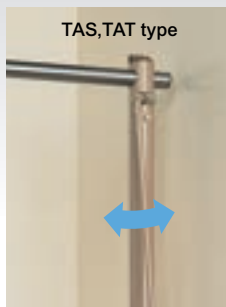


Improved Pipe Fixture for TAS



Insert the pipe end into arm hole and tighten the pipe fixture by turning clockwise as shown.

Flexible Pull Down Rod



Flexible pull down rod allows smooth operation.

TAS (SINGLE TYPE)

TAW (DOUBLE TYPE)

TAT (T-TYPE)



TAS-800R/U (Right) Umber

TAW-1200/U Umber

TAT-800R/G (Right) Grey

- This single-type model is designed for installation on a side wall of a cabinet or closet.
- Both right-hand and left-hand models are available.

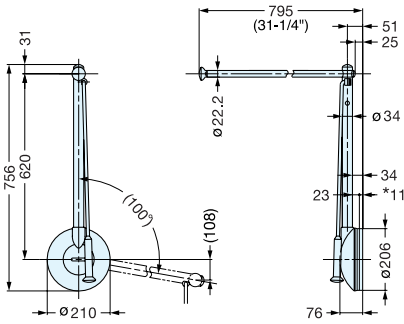
Load capacity: Up to 8 kg (17.6 lbs) (evenly distributed).
 Packaging: 1 set/box (about 5 kg or 11 lbs).

- The double-type model is designed for installation on side walls of a cabinet or closet, using it in full width.
- Adjusting the length of the rod is easily done in just one step.

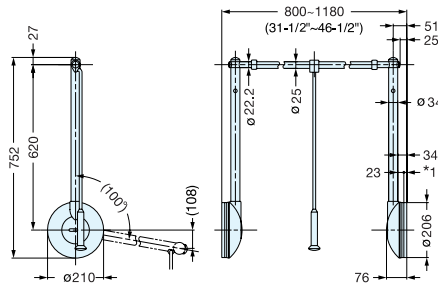
Load capacity: Up to 15 kg (33 lbs) (evenly distributed).
 Packaging: 1 set/box (about 9 kg or 19.8 lbs).

- The T-type model is designed for front facing installation with the use of a bracket which is sold separately (TAB).
- Create space more efficiently by separating short and long clothes.

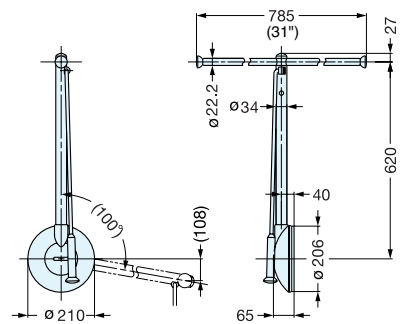
Load capacity: Up to 8 kg (17.6 lbs) (evenly distributed).
 Packaging: 1 set/box (about 5 kg or 11 lbs).



*Thickness of Distance Plate



*Thickness of Distance Plate

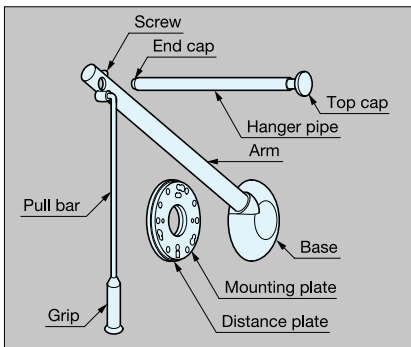


Product Specification	Grey (G)	Umber (U)
Right-Hand	TAS-800R/G	TAS-800R/U
Left-Hand	TAS-800L/G	TAS-800L/U

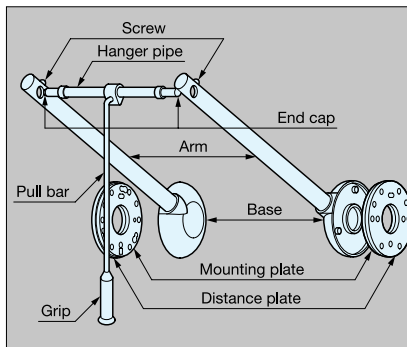
Grey (G)	Umber (U)
TAW-1200/G	TAW-1200/U

Product Specification	Grey (G)
Right-Hand	TAT-800R/G
Left-Hand	TAT-800L/G

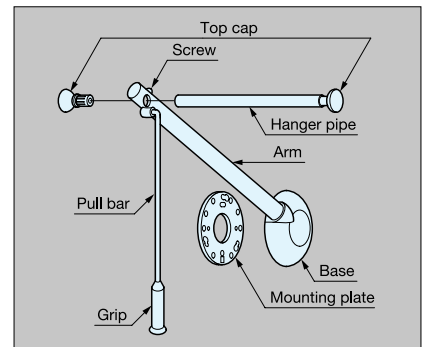
TAS-800L



TAW-1200



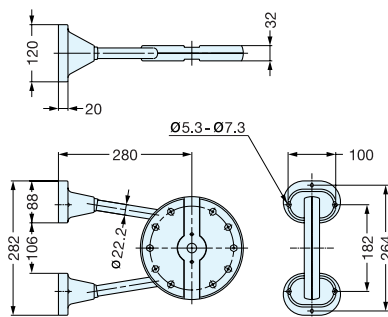
TAT-800L



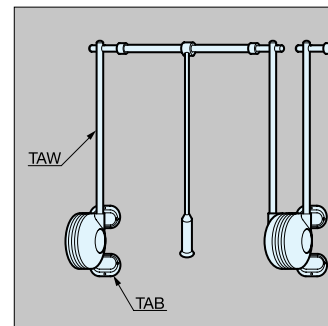
BRACKET



TAB



• Back wall mount bracket for TAS, TAW and TAT.

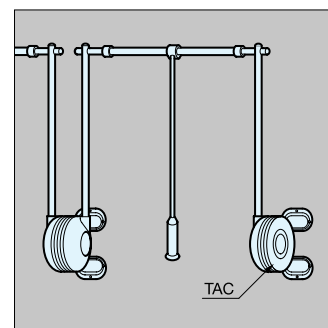
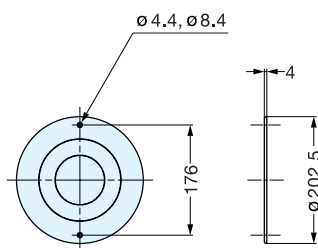


Item No.	Weight (kg)	Box (pcs)	Carton (pcs)	Material	Color
TAB/G	1.5 (3.3 lbs)	1	4	Steel/Plastic	Grey
TAB/U					Umber

COVER FOR TAB BRACKET



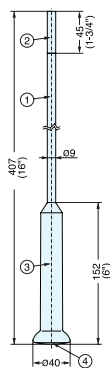
TAC



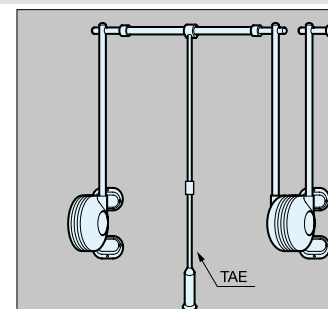
Item No.	Weight (kg)	Box (pcs)	Carton (pcs)	Material	Color
TAC/G	0.21 (0.46 lbs)	1	4	Steel	Grey
TAC/U					Umber

EXTENSION ROD

TAE



• 12" extension for pull down rod for TAW, TAS, and TAT.



Item No.	Weight (g)	Box (pcs)	Carton (pcs)
TAE/G	300	10	50
TAE/U			

No.	Part Name	Material	Finish
①	Rod	Steel	Grey/Umber
②	Nut		Nickel
③	Grip	ABS	Grey/Umber
④	End Cap		

EXTENSION HANGER

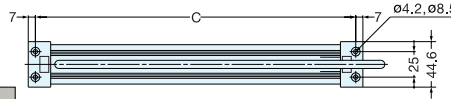
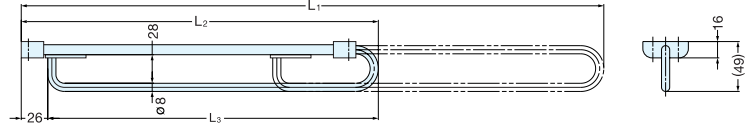
LOAD CAPACITY
3 kg
6.6 lbs

TEST 5
P.696

4x25
STAINLESS

UH SERIES

- Space-saving, undermount design for narrow spaces.
- Includes 1" (M4 × 25) long screws.



Part Name	Material	Finish/Color
Hanger Rod	304 Stainless Steel	Chrome/Black
Rod Retainer	Steel	
End Cap	Plastic	

Item No.	L ₁	L ₂	L ₃	C	Load Capacity (kg)	Weight (g)	Box (pcs)	Carton (pcs)
UH-300	491 (19-21/64")	300	274	264 (10-25/64")	3 (6.6 lbs)	365	5	30
UH-350	571 (22-31/64")	350	324	314 (12-23/64")		440		
UH-400	636 (25-1/32")	400	374	364 (14-21/64")		505		
UH-450	721 (28-25/64")	450	424	414 (16-19/64")		570		

EXTENSION HANGER

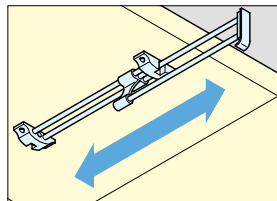
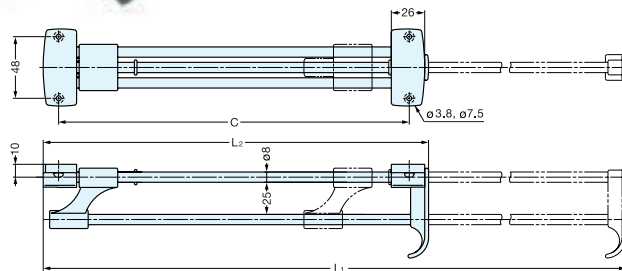
LOAD CAPACITY
4-6 kg
8.8-13.2 lbs

TEST 5
P.696

3.5x20
STEEL

W SERIES

- Space-saving, undermount design for narrow spaces.
- Molded nylon finger grip for easy accessibility.
- Includes 3/4" (M3.5 × 20) long screws.



Part Name	Material	Finish/Color
Hanger Rod	Steel	Nickel/Black
Retainer Guide	Nylon	

Item No.	L ₁	L ₂	H	C	Load Capacity (kg)	Weight (g)	Box (pcs)	Carton (pcs)
W-300	498 (19-39/64")	300 (11-13/16")	73	273	6 (13.2 lbs)	485	5	30
W-350	556 (21-57/64")	350 (13-25/32")		323	5 (11 lbs)	560		
W-400	628 (24-23/32")	400 (15-3/4")		373	5 (11 lbs)	630		
W-450	698 (27-31/64")	450 (17-23/32")		423	4 (8.8 lbs)	715		

EXTENSION HANGER

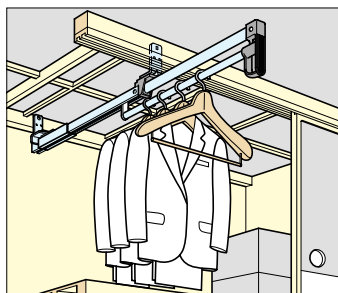
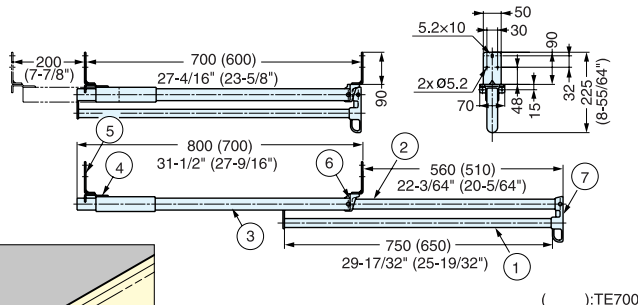
LOAD CAPACITY
20 kg
44 lbs

4.5x20
STEEL

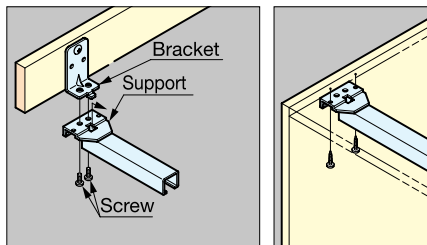
TE-700, TE-800



- Space-saving, undermount design for deep, narrow spaces.
- Use L-brackets (included) for side-mount.
- 7-7/8" rear support can be adjusted for shorter/longer spaces.
- Includes 3/4" (M4.5 x 20) long screws.



Installation

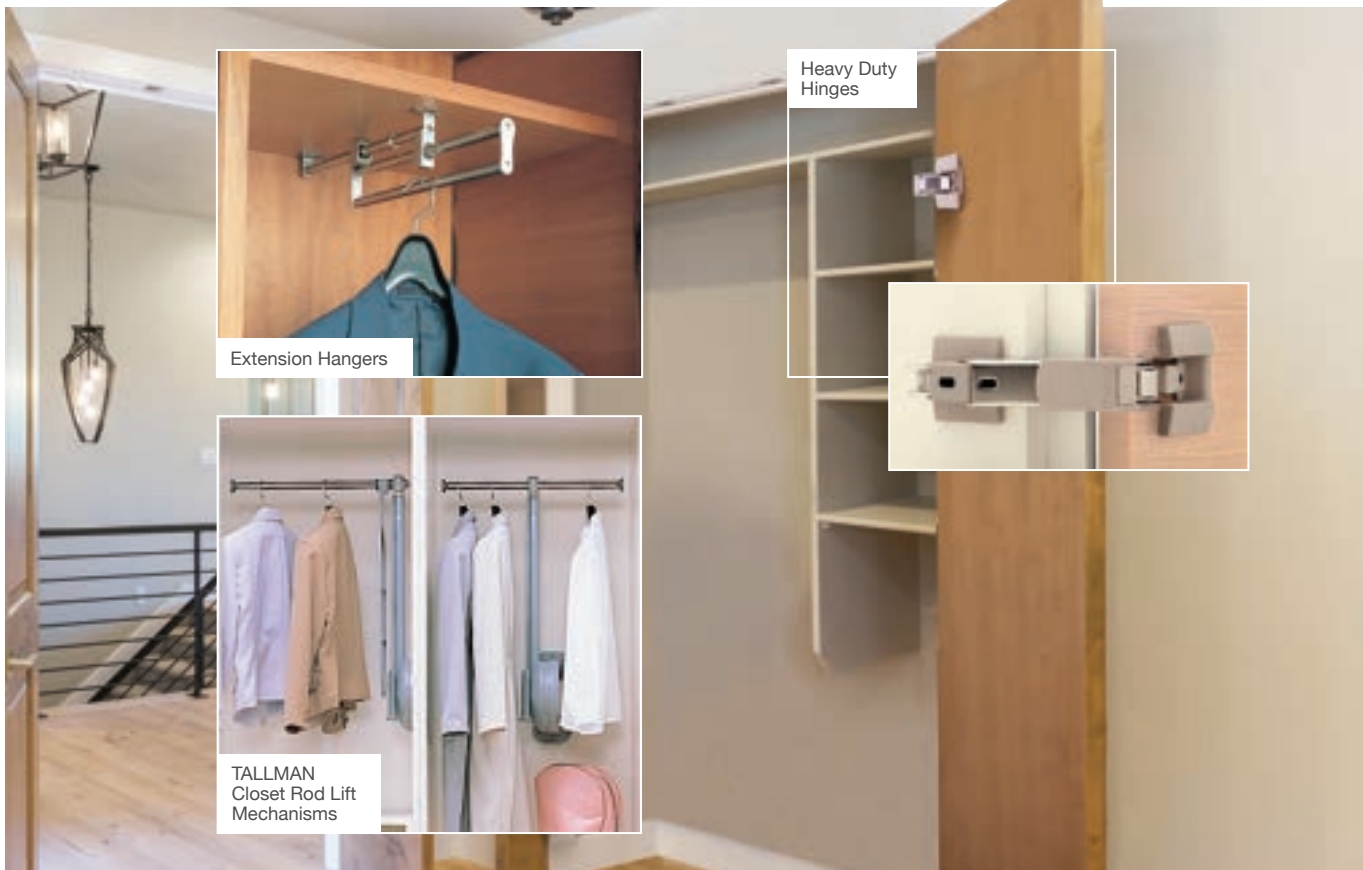


No.	Part Name	Material	Finish
①	Hanger Rod	Steel	Chrome
②	Rod Retainer		Brown
③	Retainer		
④	Support		
⑤	Bracket	Plastic	Black
⑥	Cap		
⑦	Pull		

Item No.	Load Capacity (kg)	Weight (g)	Box (pcs)	Carton (pcs)
TE-700	20 (44 lbs)	2400	1	6
TE-800		2700		

CLOSET HARDWARE

EXTENSION HANGERS



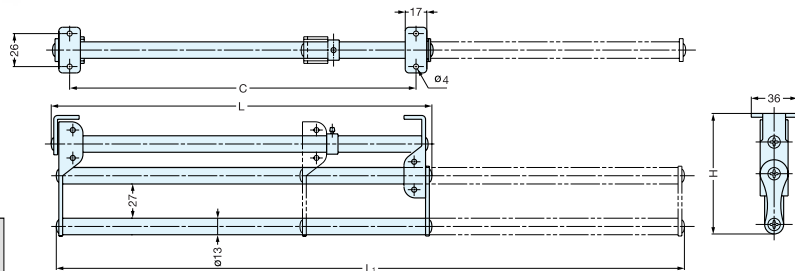
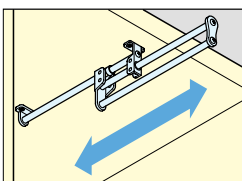
EXTENSION HANGER



A SERIES



- Space-saving, undermount design for narrow spaces.
- Includes 1" (3.5 × 25) long screws.



Material	Finish
430 Stainless Steel	Satin

Item No.	L ₁	L	H	C	Load Capacity (kg)	Weight (g)	Box (pcs)	Carton (pcs)
A-300	495 (19-31/64")	300 (11-13/16")	95	273	5 (11 lbs)	382	5	50
A-330	545 (21-29/64")	330 (13")		303		400		
A-360	598 (23-35/64")	360 (14-11/64")		333		440		
A-400	665 (26-3/16")	400 (15-3/4")		373		460		

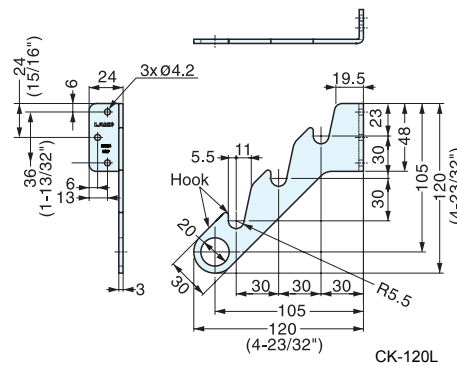
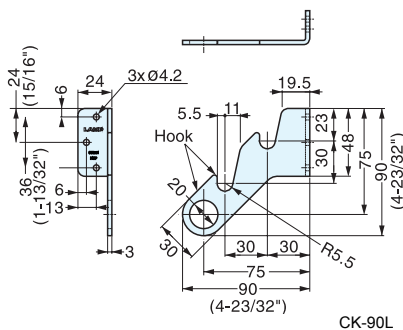
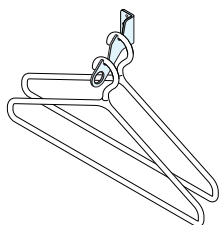
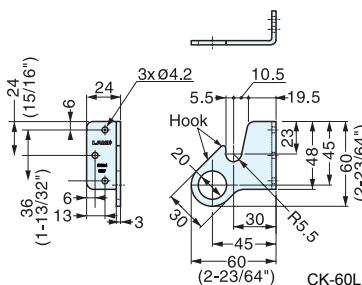
HANGER BRACKET



CK



- Light duty hanger brackets for hanging garments, umbrellas, etc.
- Available with multiple notches and 3/4" hole.
- Surface mount onto wood panel/stud.
- Not recommended for drywall installation, or for use with laundry rods.
- Includes 3/4" (M4 × 20) long screws.



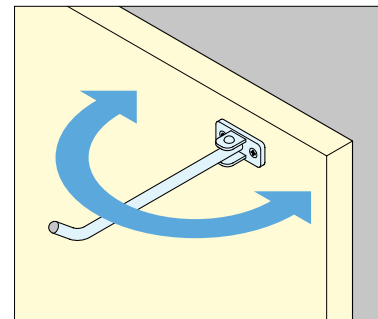
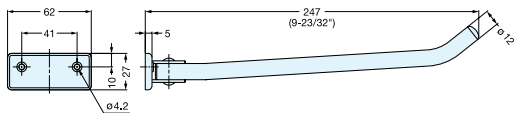
Item No.	Load Capacity (kg)	Weight (g)	Box (pcs)	Carton (pcs)
CK- 60L	1.5 kg (3.3 lbs)	66	15	150
CK- 90L		90	15	150
CK-120L		113	10	100

Material	Finish
304 Stainless Steel	Satin

SWINGING HANGER



HM-250Y

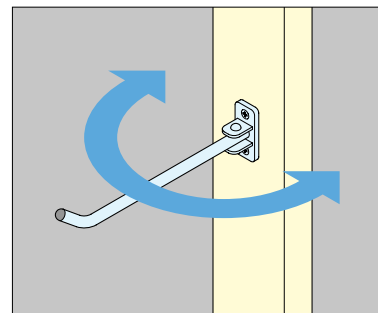
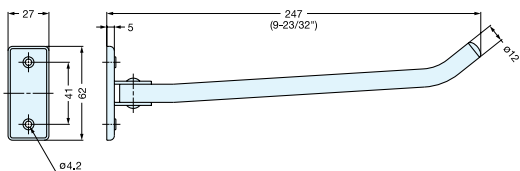


Item No.	Load Capacity (kg)	Weight (g)	Box (pcs)	Carton (pcs)	Material	Finish
HM-250Y	3 (6.6 lbs)	125	10	100	304 Stainless Steel	Satin

SWINGING HANGER



HM-250V

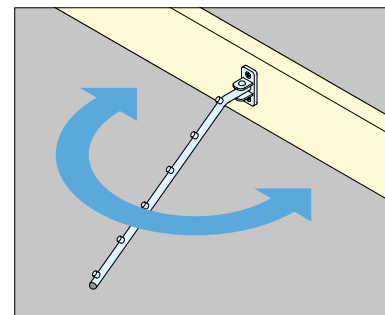
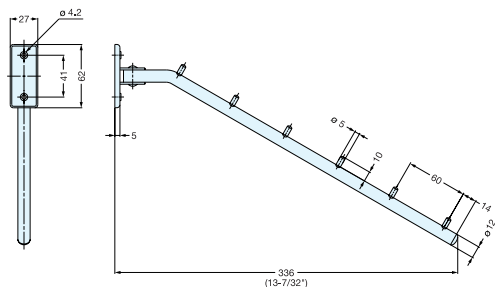


Item No.	Load Capacity (kg)	Weight (g)	Box (pcs)	Carton (pcs)	Material	Finish
HM-250V	3 (6.6 lbs)	120	10	100	304 Stainless Steel	Satin

SWINGING HANGER



HM-330



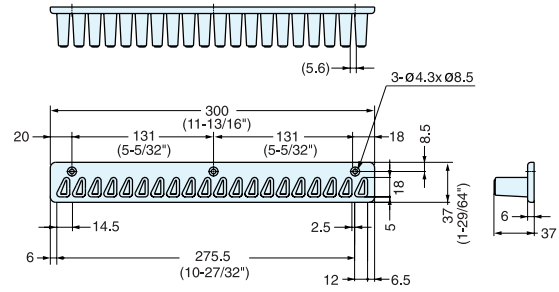
Item No.	Load Capacity (kg)	Weight (g)	Box (pcs)	Carton (pcs)	Material	Finish
HM-330	3 (6.6 lbs)	170	10	100	304 Stainless Steel	Satin

TIE RACK

LOAD CAPACITY
0.3 kg
0.7 lbs

4x14
STAINLESS

MST-20



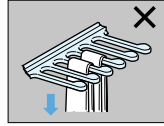
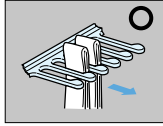
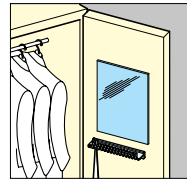
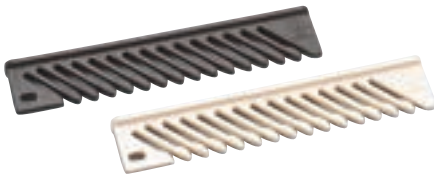
Item No.	Color	Load Capacity (kg)	Weight (g)	Box (pcs)	Carton (pcs)	Part Name	Material
MST-20BL	Brown	0.3 (0.7 lbs)	10.5	10	120	Body	ABS
MST-20GR	Ivory					Rubber	Elastomer

TIE RACK

LOAD CAPACITY
0.3 kg
0.7 lbs

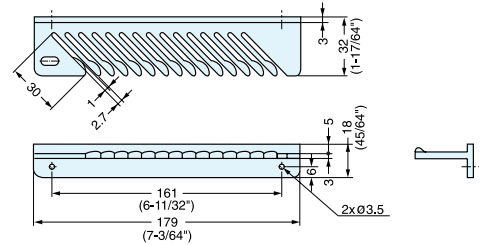
NO SCREW

TIEM



•How to use
Folded necktie should be inserted in between TIEMATE arms. This will hold the tie without stretching it. Hanging ties on the arms is not recommended.

- Uniquely designed tie rack neatly organizes and holds ties without stretching them.
- Screws not included.



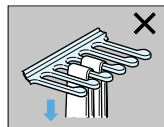
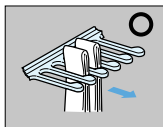
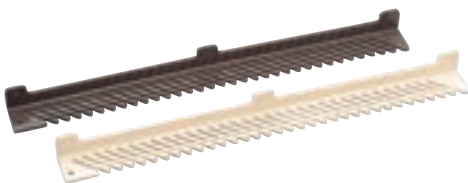
Item No.	Color	Load Capacity (kg)	Weight (g)	Box (pcs)	Carton (pcs)	Part Name	Material
TIEM-BR	Brown	0.3 (0.7 lbs)	22	20	400	Body	Polycarbonate
TIEM-I	Ivory						

TIE RACK

LOAD CAPACITY
0.3 kg
0.7 lbs

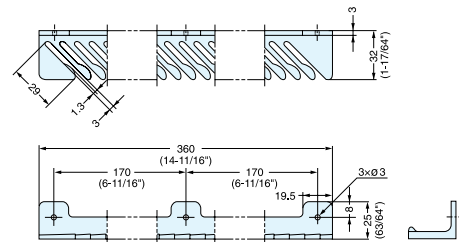
STEEL

TIE-33



•How to use
Folded necktie should be inserted in between TIEMATE arms. This will hold the tie without stretching it. Hanging ties on the arms is not recommended.

- Uniquely designed tie rack neatly organizes and holds ties without stretching them.

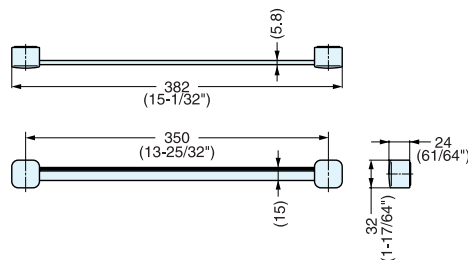


Item No.	Color	Load Capacity (kg)	Weight (g)	Box (pcs)	Carton (pcs)	Part Name	Material
TIE-33BR	Brown	0.3 (0.7 lbs)	50	20	300	Body	Polycarbonate
TIE-33I	Ivory						

TIE RACK



S-350



Item No.	Color	Weight (g)	Box (pcs)	Carton (pcs)	Part Name	Material
S-350W	White	80	10	100	Bracket	ABS
S-350B	Black				Rod	304 Stainless Steel

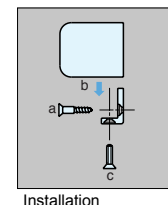
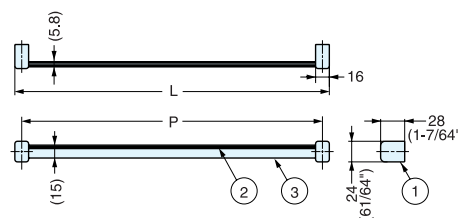
TIE RACK



STR



Part Name	Material	Color
① Bracket	Zinc Alloy	Chrome
② Anti-slip Strip	PVC	Black
③ Rod	304 Stainless Steel	Mirror



Item No.	L	P	Weight (g)	Box (pcs)	Carton (pcs)
STR-300	316 (12-7/16")	300 (11-13/16")	160	10	60
STR-350	366 (14-13/32")	350 (13-25/32")	170		
STR-400	416 (16-3/8")	400 (15-3/4")	180		
STR-450	466 (18-11/32")	450 (17-23/32")	190		

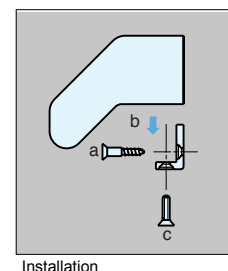
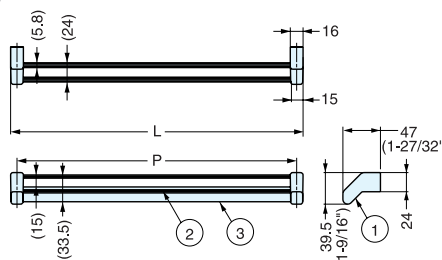
TIE RACK



DTR



Part Name	Material	Color
① Bracket	Zinc Alloy	Chrome
② Anti-slip Strip	PVC	Black
③ Rod	304 Stainless Steel	Mirror



Item No.	L	P	Weight (g)	Box (pcs)	Carton (pcs)
DTR-350	366 (14-13/32")	350 (13-25/32")	250	5	30
DTR-400	416 (16-3/8")	400 (15-3/4")	270		
DTR-450	466 (18-11/32")	450 (17-23/32")	285		